

Driver LC 25W 450-600mA flexC SR SNC4

essence series

**Product description**

- _ Independent fixed output LED driver
- _ For luminaires of protection class II
- _ For luminaires with M and MM as per EN 60598, VDE 0710 and VDE 0711
- _ Temperature protection as per EN 61347-2-13 C5e
- _ Selectable fixed output current 450, 500, 550 and 600 mA (pre-selected current 450 mA)
- _ Max. output power 25.5 W
- _ Up to 87.5 % efficiency
- _ Nominal lifetime up to 100,000 h
- _ 5 years guarantee (conditions at <https://www.tridonic.com/manufacturer-guarantee-conditions>)

Housing properties

- _ Casing: polycarbonate, white
- _ Type of protection IP20

Interfaces

- _ Terminal blocks: 45° push terminals

Functions

- _ Overload protection
- _ Short-circuit protection
- _ No-load protection
- _ Overtemperature protection
- _ Burst protection voltage 1 kV
- _ Burst protection voltage 1 kV (L to N)
- _ Surge protection voltage 2 kV (L/N to earth)

Typical applications

- _ For spot light and downlight in retail and hospitality applications
- _ For panel light and area light in office and education application

Website

<http://www.tridonic.com/87501088>



Spotlights



Downlights



Linear



Area



Floor | Wall



Free-standing



Street



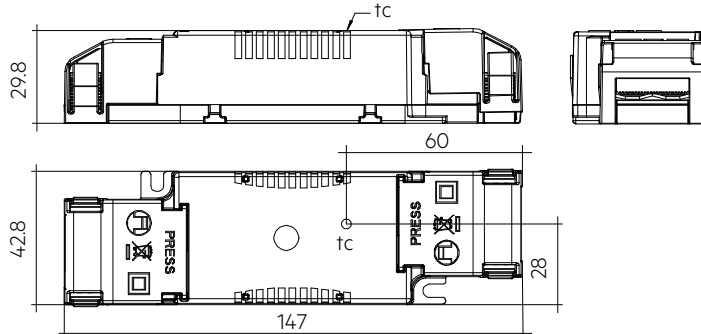
Decorative



High bay

Driver LC 25W 450-600mA flexC SR SNC4

essence series



Ordering data

| Type | Article number | Packaging, carton | Packaging, pallet | Packaging, high volume | Weight per pc. |
|--------------------------------|----------------|-------------------|-------------------|------------------------|----------------|
| LC 25/450-600/42 flexC SR SNC4 | 87501088 | 10 pc(s). | 80 pc(s). | 1,200 pc(s). | 0.076 kg |

Technical data

| | |
|---|------------------------------|
| Rated supply voltage | 220 – 240 V |
| AC voltage range | 198 – 264 V |
| Max. input current (at 230 V, 50 Hz, full load) | 0.125 A |
| Mains frequency | 50 / 60 Hz |
| Overvoltage protection | 320 V AC, 2 h |
| Typ. power consumption (at 230 V, 50 Hz, full load) ^① | 28,5 W |
| Min. output power | 10,8 W |
| Max. output power | 25,2 W |
| Typ. efficiency (at 230 V, 50 Hz, full load) ^① | 87,5 % |
| λ over full operating range (max.) ^① | 0,97 |
| λ over full operating range (min.) | 0,93C |
| Output current tolerance ^② | $\pm 7,5$ % |
| Max. output current peak ^③ | \leq output current + 12 % |
| Max. output voltage (U-OUT) | 55 V |
| THD (at 230 V, 50 Hz, full load) | < 15 % |
| Output LF current ripple (< 120 Hz) | ± 5 % |
| Output P_ST_LM (at full load) | ≤ 1 |
| Output SVM (at full load) | $\leq 0,4$ |
| Starting time (at 230 V, 50 Hz, full load) | $\leq 0,5$ s |
| Turn off time (at 230 V, 50 Hz, full load) | $\leq 0,5$ s |
| Hold on time at power failure (output) | 0 s |
| Ambient temperature t_a (at lifetime 50,000 h) | 40 °C |
| Storage temperature t_s | -40 ... +80 °C |
| Mains burst capability | 1 kV |
| Mains surge capability (between L - N) | 1 kV |
| Mains surge capability (between L/N - PE) | 2 kV |
| Surge voltage at output side (against PE) | 3 kV |
| Lifetime | up to 100,000 h |
| Guarantee (conditions at www.tridonic.com) | 5 Year(s) |
| Dimensions L x W x H | 147 x 43 x 30 mm |

Approval marks



Standards

EN 55015, EN 60598-1, EN 61000-3-2, EN 61000-3-3, EN 61347-1, EN 61347-2-13, EN 61547, EN 62384

Specific technical data

| Type | Output current ^① | Min. output voltage | Max. output voltage | Max. output power | Typ. power consumption (at 230 V, 50 Hz, full load) | Typ. current consumption (at 230 V, 50 Hz, full load) | Efficiency (at 230 V, 50 Hz, full load) | tc point max. | Ambient temperature ta | I-out select |
|--------------------------------|-----------------------------|---------------------|---------------------|-------------------|---|---|---|---------------|------------------------|---------------|
| LC 25/450-600/42 flexC SR SNC4 | 450 mA | 24 V | 42 V | 18.9 W | 21.5 W | 95 mA | 87.0 % | 55 °C | -20 ... +40 °C | 1=off / 2=off |
| LC 25/450-600/42 flexC SR SNC4 | 500 mA | 24 V | 42 V | 21.0 W | 24.0 W | 105 mA | 87.0 % | 60 °C | -20 ... +40 °C | 1=on / 2=off |
| LC 25/450-600/42 flexC SR SNC4 | 550 mA | 24 V | 42 V | 23.1 W | 26.5 W | 115 mA | 87.5 % | 60 °C | -20 ... +40 °C | 1=off / 2=on |
| LC 25/450-600/42 flexC SR SNC4 | 600 mA | 24 V | 42 V | 25.2 W | 28.5 W | 125 mA | 87.5 % | 60 °C | -20 ... +40 °C | 1=on / 2=on |

① Test result at 600 mA.

② Output current is mean value.

③ Test result at 25 °C.

1. Standards

- EN 55015
- EN 60598-1
- EN 61000-3-2
- EN 61000-3-3
- EN 61347-1
- EN 61347-2-13
- EN 61547
- EN 62384

1.1 Glow wire test

according to EN 61347-1 with increased temperature of 850 °C passed.

2. Thermal details and lifetime

2.1 Expected lifetime

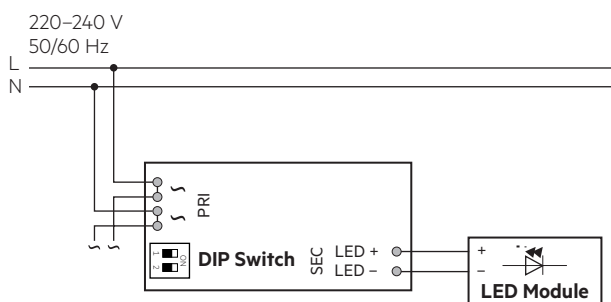
| Expected lifetime | | | | | |
|-----------------------------------|----------|-----------|-----------|-----------|-----------|
| Type | Current | ta | 25 °C | 30 °C | 40 °C |
| LC 25/450-600/42 flexC SR SNC4 | 450 mA | tc | 40 °C | 45 °C | 55 °C |
| | | Lifetime | 100,000 h | 100,000 h | 100,000 h |
| | 500 mA | tc | 45 °C | 50 °C | 60 °C |
| | | Lifetime | 100,000 h | 100,000 h | >85,000 h |
| 550 mA | tc | 45 °C | 50 °C | 60 °C | |
| | Lifetime | 100,000 h | 100,000 h | >85,000 h | |
| 600 mA | tc | 45 °C | 50 °C | 60 °C | |
| | Lifetime | 100,000 h | 100,000 h | >85,000 h | |

The LED driver is designed for a lifetime stated above under reference conditions and with a failure probability of less than 10 %.

The relation of tc to ta temperature depends also on the luminaire design. If the measured tc temperature is approx. 5 K below tc max., ta temperature should be checked and eventually critical components (e.g. ELCAP) measured. Detailed information on request.

3. Installation / wiring

3.1 Circuit diagram

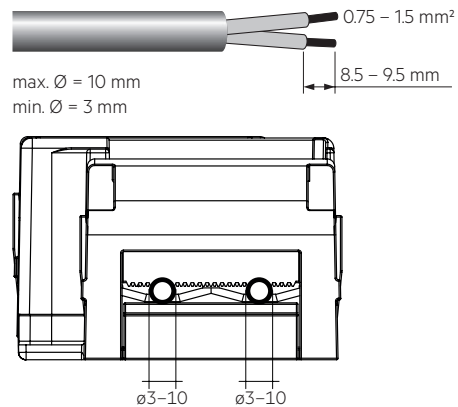


Device with loop through wiring function.

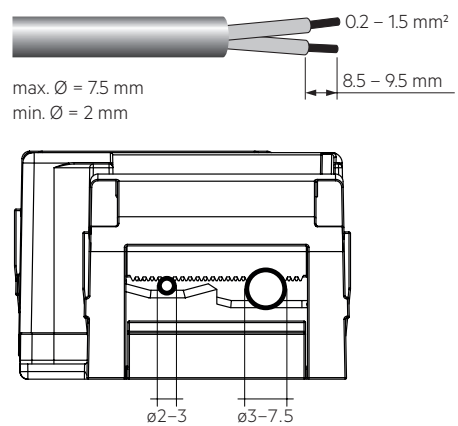
3.2 Wiring type and cross section

For wiring use stranded wire with ferrules or solid wire from 0.75–1.5 mm² (mains wires) and 0.2–1.5 mm² (secondary wires, LED module). Strip 8.5–9.5 mm of insulation from the cables to ensure perfect operation of the push-wire terminals. Use one wire for each terminal connector only.

Input terminal (D2):

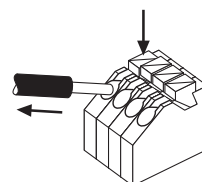


Output terminal (D1):



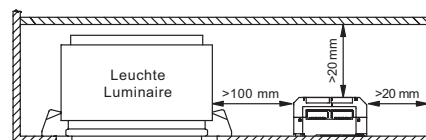
3.3 Loose wiring

Press down the “push button” and remove the cable from front.



3.4 Fixing conditions

Dry, acidfree, oilfree, fatfree. It is not allowed to exceed the maximum ambient temperature (ta) stated on the device. Minimum distances stated below are recommendations and depend on the actual luminaire. Is not suitable for fixing in corner.



The LED module and all contact points within the wiring must be sufficiently insulated against 3 kV surge voltage.

3.5 Wiring guidelines

- All connections must be kept as short as possible to ensure good EMI behaviour.
- Mains leads should be kept apart from LED driver and other leads (ideally 5 – 10 cm distance)
- Max. length of output wires is 2 m.
- To comply with the EMC regulations run the secondary wires (LED module) in parallel.
- Incorrect wiring can damage LED modules.
- To avoid the damage of the Driver, the wiring must be protected against short circuits to earth (Sharp edged metal parts, metal cable clips, louver, etc.).
- The current selection has to be installed in the accordance to the requirement of low voltage installation.
- Through wiring of mains is for connecting additional LED driver only. Max. permanent current of 2 A may not be exceeded.

3.6 Replace LED module

1. Mains off
2. Remove LED module
3. Wait for 20 seconds
4. Connect LED module again

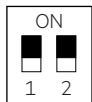
Hot plug-in or output switching of LEDs is not permitted and may cause a very high current to the LEDs.

3.7 Current setting

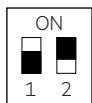


Set the current by DIP switch after mains off.
Use of DIP switch only after mains off.

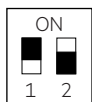
450 mA: Switch 1 = Off, Switch 2 = Off



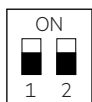
500 mA: Switch 1 = On, Switch 2 = Off



550 mA: Switch 1 = Off, Switch 2 = On



600 mA: Switch 1 = On, Switch 2 = On



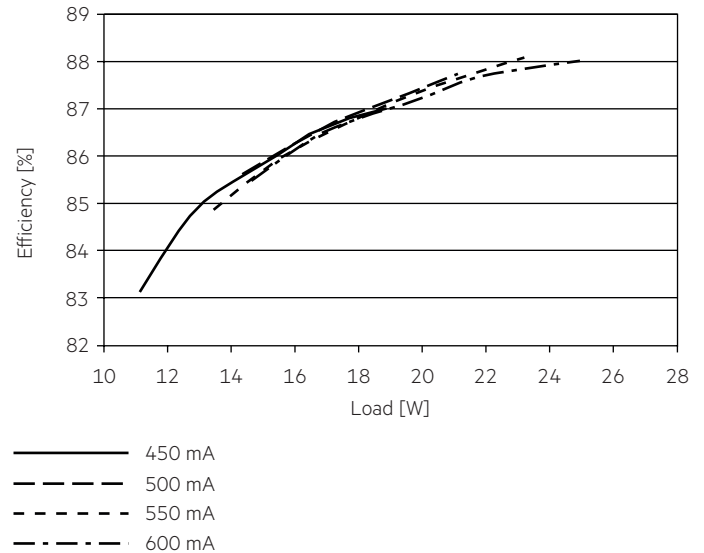
3.8 Mounting of device

Max. torque for fixing: 0.5 Nm/M4

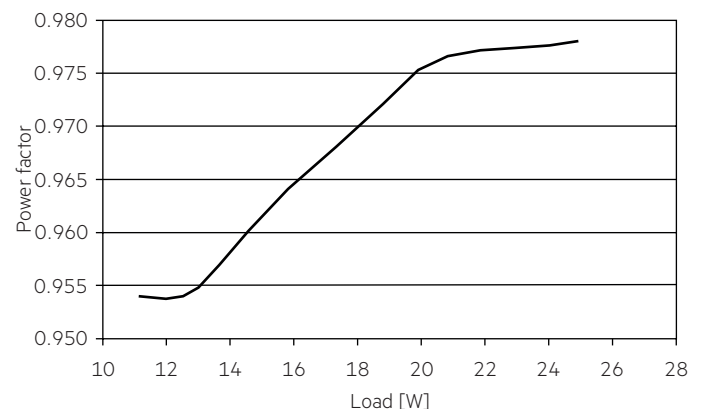
4. Electrical values

Test at 230 V 50 Hz.

4.1 Efficiency vs load

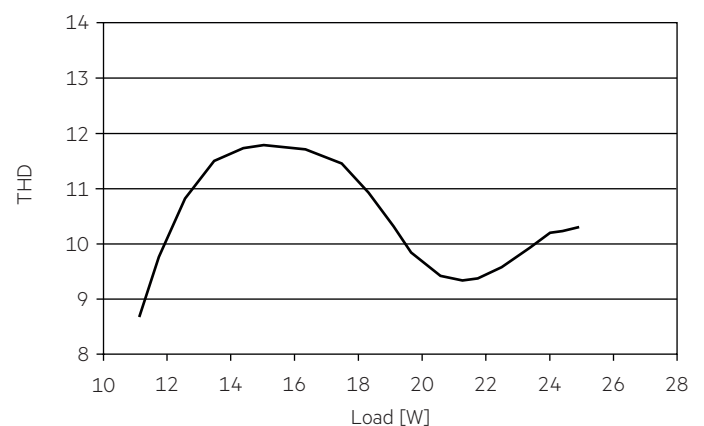


4.2 Power factor vs load



4.3 THD vs load

THD without harmonic < 5 mA (0.6 %) of the input current:



4.6 Maximum loading of automatic circuit breakers in relation to inrush current

| Automatic circuit breaker type | C10 | C13 | C16 | C20 | B10 | B13 | B16 | B20 | Inrush current | |
|---------------------------------------|---------------------|---------------------|---------------------|---------------------|---------------------|---------------------|---------------------|---------------------|------------------|--------|
| Installation Ø | 1.5 mm ² | 1.5 mm ² | 1.5 mm ² | 2.5 mm ² | 1.5 mm ² | 1.5 mm ² | 1.5 mm ² | 2.5 mm ² | I _{max} | Time |
| LC 25/450-600/42 flexC SR SNC4 | 33 | 43 | 53 | 65 | 20 | 26 | 32 | 39 | 18 A | 210 µs |

These are max. values calculated out of inrush current! Please consider not to exceed the maximum rated continuous current of the circuit breaker. Calculation uses typical values from ABB series S200 as a reference. Actual values may differ due to used circuit breaker types and installation environment.

4.7 Harmonic distortion in the mains supply (at 230 V / 50 Hz and full load) in %

| | THD | 3. | 5. | 7. | 9. | 11. |
|---------------------------------------|------|------|-----|-----|-----|-----|
| LC 25/450-600/42 flexC SR SNC4 | < 15 | < 15 | < 5 | < 5 | < 3 | < 3 |

5. Functions

5.1 Short-circuit behaviour

In case of a short circuit on the output side (LED) the LED driver switches off. After elimination of the short-circuit fault the LED driver will recover automatically.

5.2 No-load operation

The LED driver works in burst working mode to provide a constant output voltage regulation which allows the application to be able to work safely when LED string opens due to a failure.

5.3 Overload protection

If the maximum load is exceeded by a defined internal limit, the LED driver will protect itself and LED may flicker. After elimination of the overload, the nominal operation is restored automatically.

5.4 Over temperature protection

The LED driver is protected against temporary thermal overheating. If the temperature limit is exceeded, the output current will reduce or LED may flicker. It will recover automatically.

6. Miscellaneous

6.1 Disposal of equipment



Return old devices in accordance with the WEEE directive to suitable recycling facilities.

6.2 Insulation and electric strength testing of luminaires

Electronic devices can be damaged by high voltage. This has to be considered during the routine testing of the luminaires in production.

According to IEC 60598-1 Annex Q (informative only!) or ENEC 303-Annex A, each luminaire should be submitted to an insulation test with 500 V_{DC} for 1 second. This test voltage should be connected between the interconnected phase and neutral terminals and the earth terminal.
The insulation resistance must be at least 2 MΩ.

As an alternative, IEC 60598-1 Annex Q describes a test of the electrical strength with 1500 V_{AC} (or 1.414 x 1500 V_{DC}). To avoid damage to the electronic devices this test must not be conducted.

6.3 Conditions of use and storage

Humidity: 5 % up to max. 85 %,
not condensed
(max. 56 days/year at 85 %)

Storage temperature: -40 °C up to max. +80 °C

The devices have to be within the specified temperature range (ta) before they can be operated.

6.4 Maximum number of switching cycles

All LED driver are tested with 50,000 switching cycles.

6.5 Additional information

Additional technical information at www.tridonic.com → Technical Data

Lifetime declarations are informative and represent no warranty claim.
No warranty if device was opened.