

Features:

- Constant Current mode output with multiple levels selectable by dip switch
- DALI 2 dimming function (IEC62386)
- AC input: 100-277VAC
- Built-in active PFC function
- Efficiency up to 86%
- Protections: Short circuit/ Over load/ Over temperature
- Cooling by free air convection
- Suitable for intelligent LED lighting



Models

ELED-40-C300/1400DP2

Output Specifications

Rated Current (mA)	1400	1300	1200	1100	1000	900	800	700	650	600	550	500	450	400	350	300
Current Tolerance	± 5%															
Output Voltage (V)	3-29	3-31	3-34	3-37	3-40	3-45	3-50	3-57	3-62	3-65	3-65	3-65	3-65	3-65	3-65	3-65
Rated power (W)	40						39		35.8	32.5	29.3	26	22.8	19.5		

Input Specifications

Voltage Range	100-277VAC		
Frequency Range	47-63Hz		
Inrush Current	5.68A (Twidth=7.2µs 230VAC)		
Power Factor (Typ.)	PF≥0.97 @120VAC 60Hz;	PF≥0.92 @230VAC 50Hz;	PF≥0.88 @277VAC 60Hz
Full Load Efficiency (Typ.)	Full loading 85%@120VAC 60Hz;		86% @230VAC 50Hz; 85%@277VAC 60Hz
AC Current (Typ.)	0.52A		
Leakage Current	<0.50mA/220VAC		

Protection

Short Circuit	Constant Current mode, recovers automatically after fault condition is removed
Over Load	≤120%
Over Current	≤1.4*I out
Protection Class	II

Environment

Working Temperature	-40~+80°C (Refer to derating curve)
Working Humidity	20-90% RH, non-condensing
Storage Temperature, Humidity	-40~+80°C, 10-95% RH

Environment

Temperature Coefficient	±0.03%/°C (0-50°C)
Vibration	10-500Hz, 2G 12min./ 1 cycle, period for 60min.each along X, Y, Z axes

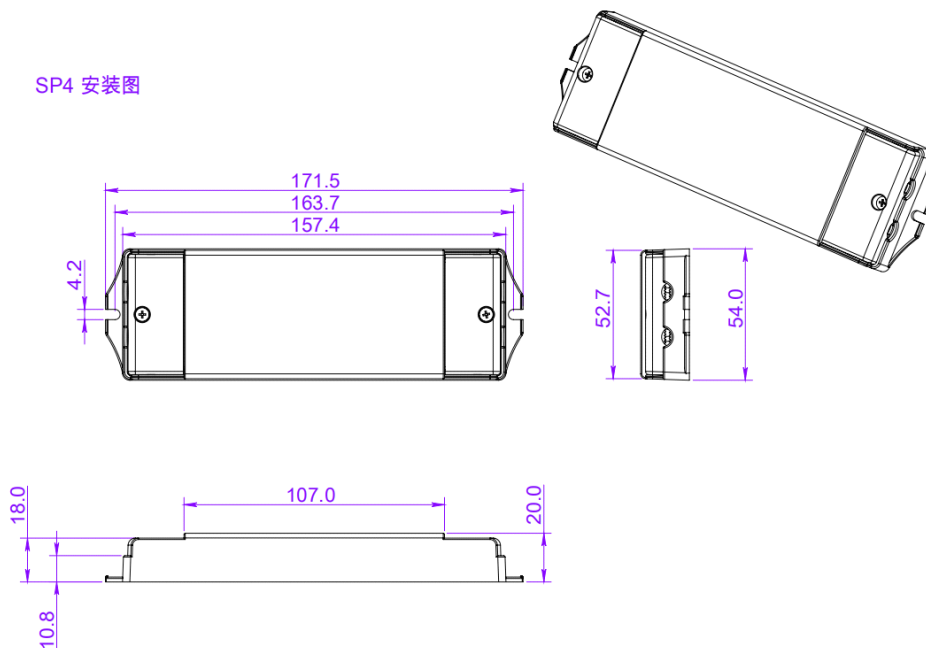
Safety & EMC

Safety standards	EN61347-1, EN61347-2-13, UL8750
Withstand voltage	I/P-O/P:3.75KVAC
Isolation resistance	I/P-O/P:100MQ/500VDC/25°C/70%RH
EMC Emission	Compliance to EN55015, EN61000-3-2,3 (≥50% load), FCC Part 15B
EMC Immunity	Compliance to EN61000-4-2,3,4,5,6,11, EN61547, A light industry level (surge 4KV)

Other Specifications

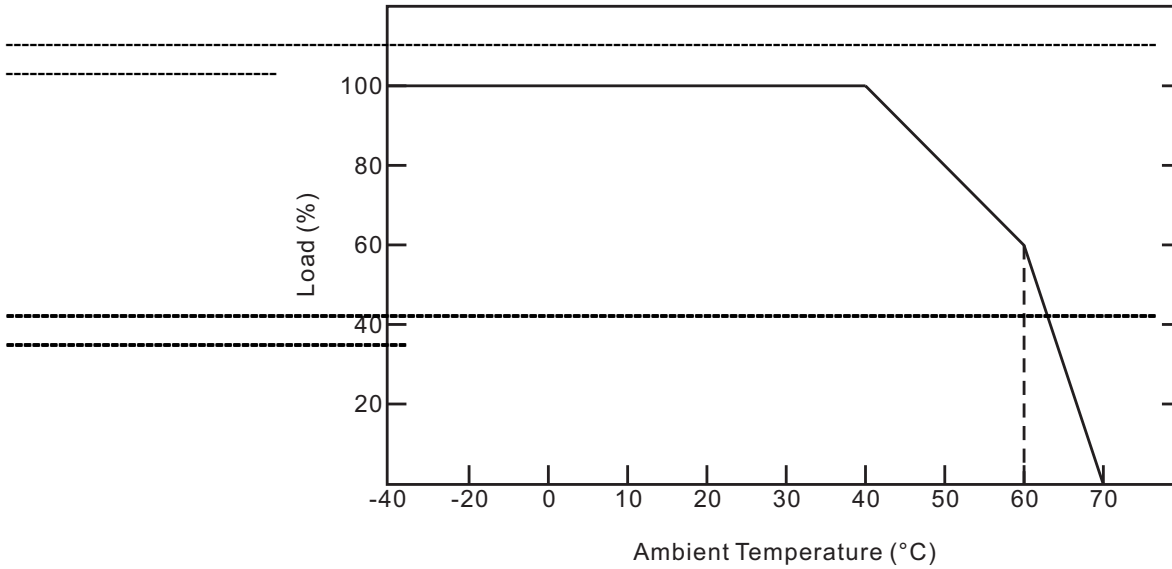
Weight	0.17kg
Size	171.5 x 54x 20 mm
Packing	320 x 280 x 215 mm (50PCS/CTN)

Mechanical Specifications



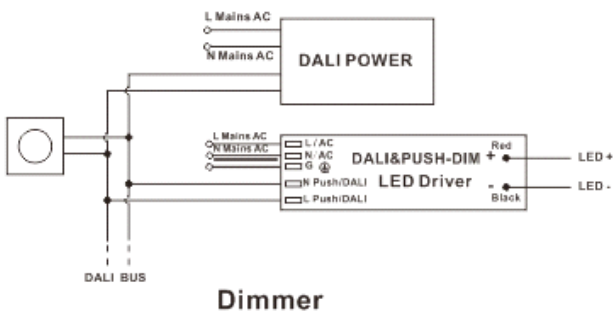
- ※Input with DG126 terminals 3P: Live Wire AC (L), Neutral Wire AC(N)
- ※Output LED SEC with DG126 terminals 2P: output Positive (LED+), output negative (LED-). Connected to LED Lamps.
- ※DALI or PUSH Dim. terminals with DG126 terminals 2P:
 when DALI dimming, signal dimming DA1, DA2 (No polar) connected to the BUS of the DALI Master;
 when PUSH dimming, (N) is connected to AC (N) while white (L) is connected to Push dim switch dimmer(L) ;
- ※Suggested wire diameter: Input 0.75-2mm²; Output:0.5-2mm².
- ※Please make sure you connect these correctly otherwise your product will not function correctly and could be damaged.
- ※Note: Any other requests we can customized.

Derating Curve

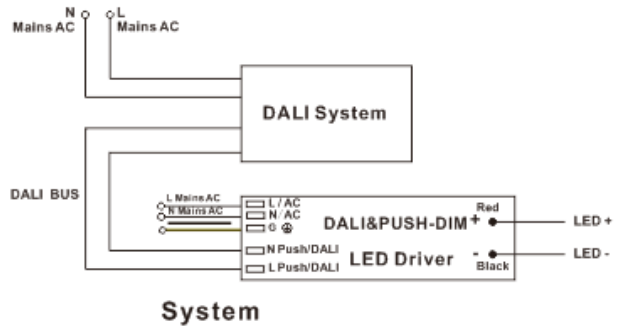


Dimming Operation

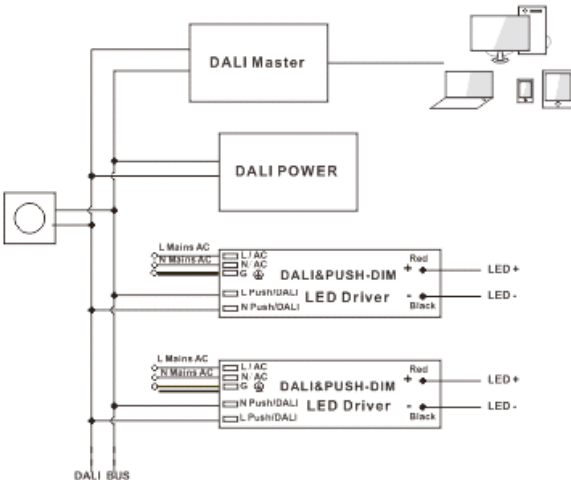
DALI Dimming Wiring Diagram1



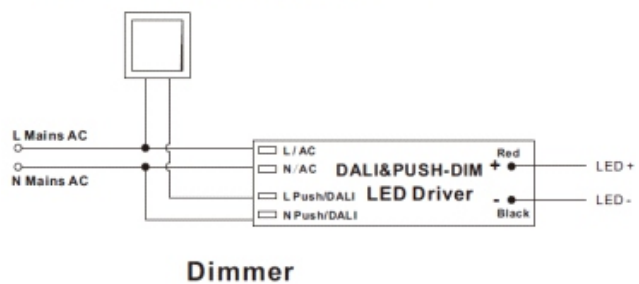
DALI Dimming Wiring Diagram2



DALI Dimming Wiring Diagram3



Push-Dimming Wiring Diagram2



1 unit maximum for Push Dimming

PC+DALI Master+DIMMER