



# HF-Regulator II for TL-D lamps

## HF-R 236 TL-D EII 220-240V 50/60Hz

Flat, lightweight high-frequency electronic regulating ballast, using 1-10V protocol for TL-D fluorescent lamps

### Product data

Operating and Electrical	
Input Voltage	220 to 240 V
Line Frequency	50 to 60 Hz
Input frequency	50 to 60 Hz
Earth leakage current (max.)	0.5 mA
Inrush current width	0.40 ms
Inrush current peak (max.)	45 A
Number of products on MCB (16 A type B) (nom.)	12

Wiring	
Connector type input terminals	WAGO 251 universal connector [Suitable for both automatic wiring (ALF and ADS) and manual wiring]
Connector type output terminals	WAGO 251 universal connector [Suitable for both automatic wiring (ALF and ADS) and manual wiring]

Temperature	
Ambient temperature range	10°C to 50°C

Controls and Dimming	
Control interface	1-10V

Mechanical and Housing	
Housing	L 360x30x21

Approval and Application	
Ingress protection code	IP20 [Finger-protected]
Energy efficiency index	A1 BAT
Safety standard	IEC 61347-2-3
Environmental standard	ISO 14001
Approval marks	CE marking ENEC certificate VDE-EMV certificate

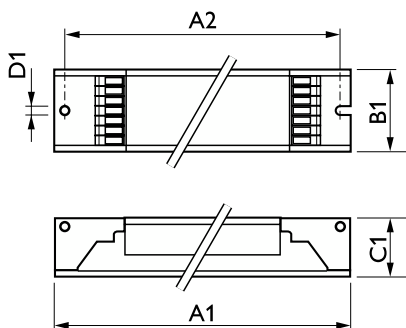
Product Data	
Order product name	HF-R 236 TL-D EII 220-240V 50/60Hz
Full product name	HF-R 236 TL-D EII 220-240V 50/60Hz
Full EOC	871150091015830
Order code	91015830
Material no. (12 NC)	913700609366
Local order code	HFR236TLDII
Numerator – quantity per pack	1

## HF-Regulator II for TL-D lamps

Net Weight (Piece)	0.295 kg
EAN/UPC – Product/Case	8711500910158
Numerator – packs per outer box	12

EAN/UPC - Case	8711500910165
----------------	---------------

### Dimensional drawing



Product	D1	C1	A1	A2	B1
HF-R 236 TL-D EII 220-240V 50/60Hz	4.2 mm	22 mm	360 mm	350 mm	30 mm

