



HF-Performer III for TL-D lamps

HF-P 218/236 TL-D III 220-240V 50/60 Hz

HF-Performer III TLD is a sustainable, slim and high-frequency electronic ballast for TL-D fluorescent lamps. It is ideal for applications where high energy efficiency is required. The HF-Performer III range has a robust design, meets all relevant international safety and performance standards and is energy-efficient (CELMA EEI A2).

Product data

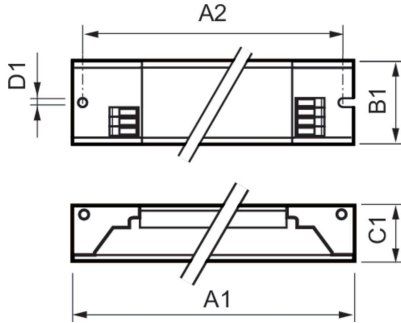
Operating and Electrical		T-Case maximum (max.)	80 °C
Input Voltage	220 to 240 V	Mechanical and Housing	
Line Frequency	50 to 60 Hz	Housing	L 280x30x28
Input frequency	50 to 60 Hz	Ingress protection code	IP20 [Finger-protected]
Inrush current width	0.25 ms	Net Weight (Piece)	0.203 kg
Inrush current peak (max.)	18 A	Approval and Application	
Number of products on MCB (16 A type B) (nom.)	28	Energy efficiency index	A2 BAT
Wiring		Safety standard	IEC 61347-2-3
Connector type input terminals	WAGO 251 universal connector [Suitable for both automatic wiring (ALF and ADS) and manual wiring]	Environmental standard	ISO 14001
Connector type output terminals	WAGO 251 universal connector [Suitable for both automatic wiring (ALF and ADS) and manual wiring]	Approval marks	CE marking ENEC certificate VDE-EMV certificate
Temperature		Ambient temperature range	-25°C to 60°C
T-case lifetime (nom.)	80 °C	Product Data	
		Order product name	HF-P 218/236 TL-D III 220-240V 50/60 Hz
		Full product name	HF-P 218/236 TL-D III 220-240V 50/60 Hz
		Full EOC	872790091166400
		Order code	91166400

HF-Performer III for TL-D lamps

Material no. (12 NC)	913713031666
Local order code	HFP236TLDIII
Numerator – quantity per pack	1
EAN/UPC – Product/Case	8711500999665

Numerator – packs per outer box	12
EAN/UPC – Case	8727900911664

Dimensional drawing



Product	D1	C1	A1	A2	B1
HF-P 218/236 TL-D III 220-240V 50/60 Hz	4.2 mm	28.0 mm	280.0 mm	265.0 mm	30.0 mm

