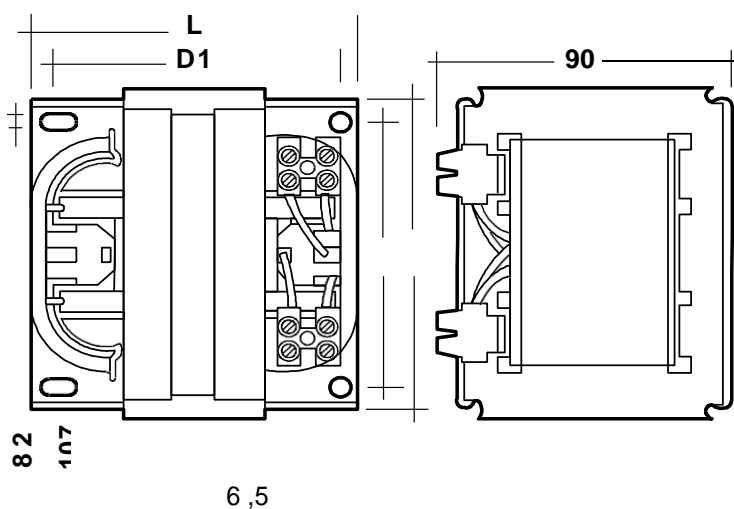


BALLAST	TECHNICAL DATA	Type	OGLI 1000W ST 120 380-415/50 100/50%
---------	----------------	------	--------------------------------------



Ballast for HI lamps

OGLI 1000W ST 120 380-415/50 100/50% Ord. No. 20881172 - 11034

Standards	EN 60923, EN 61347
Directives	RoHS - 2011/65/EU
Declarations	CE
Approvals	-

Lamp	Type	HI 1000W 4,4A
Network (line voltage)	V / Hz	380; 400; 415 / 50
Current	A	4,4
Losses - warm	W	41,8
cos ϕ in	-	0,57
h	%	-
tw/D tn	K	130/ 70
Thermal protection		No

L	mm	174
D1	mm	160
Weight	Kg	7,75

Packing	Pcs./Carton	3
Packing	Pcs./Pallet	108

Impregnation Vacuum impregnated with polyester resin